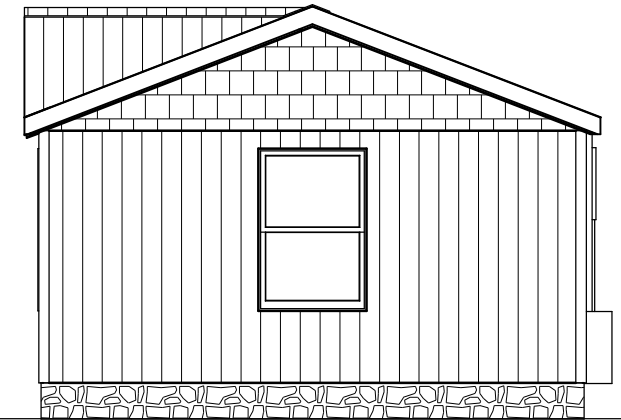
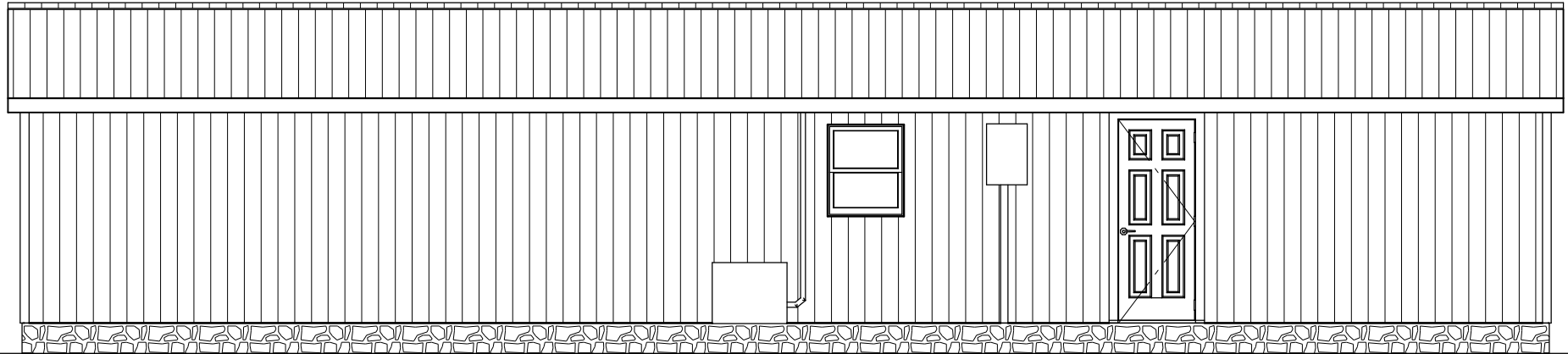


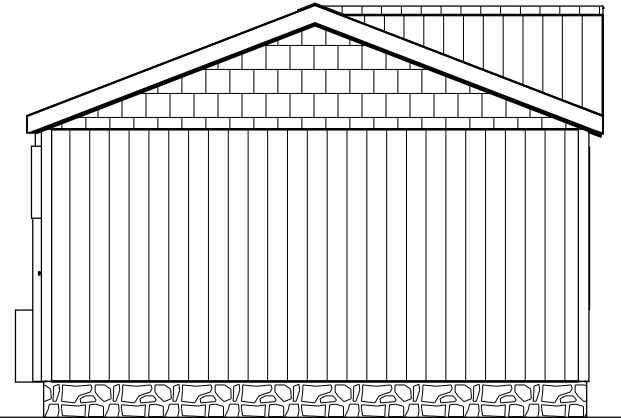
Exterior Elevation Front



Exterior Elevation Right

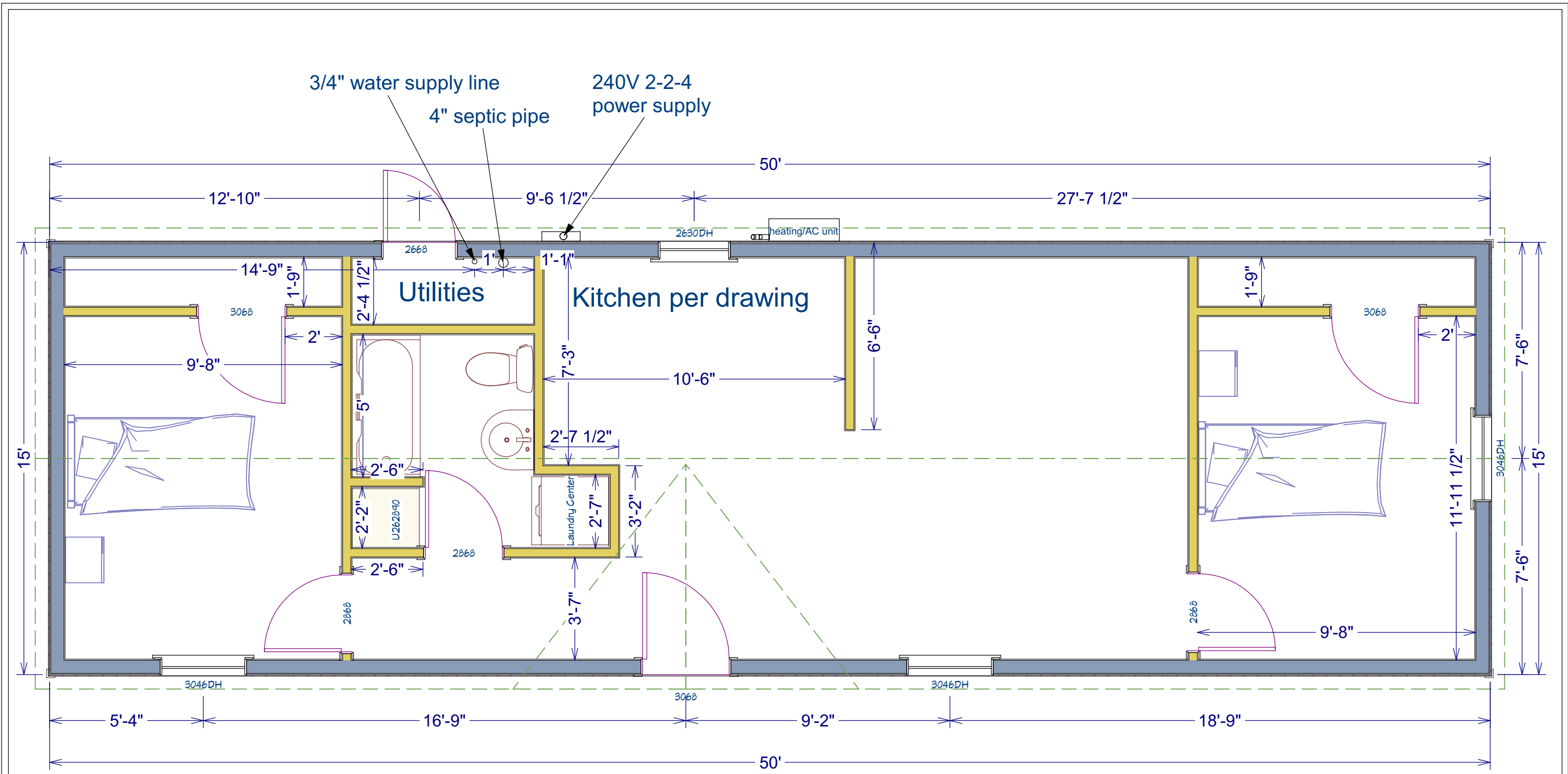


Exterior Elevation Back



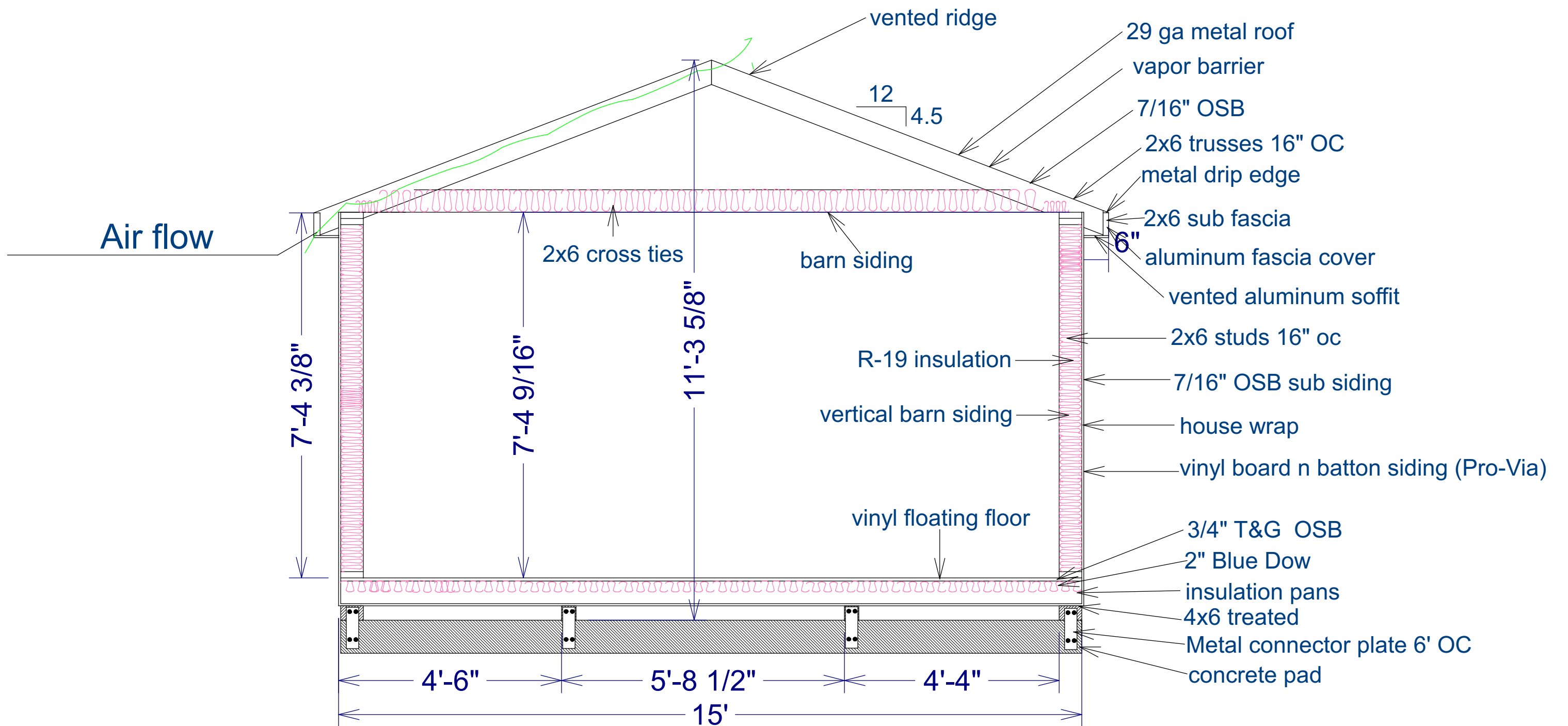
Exterior Elevation Left

DRAWINGS PROVIDED BY:		PROJECT DESCRIPTION: 15x50 2 bedroom unit		SHEET TITLE:		NO. DESCRIPTION BY DATE		SCALE: 3/16"=1'		DATE: 9/30/2024		K-2

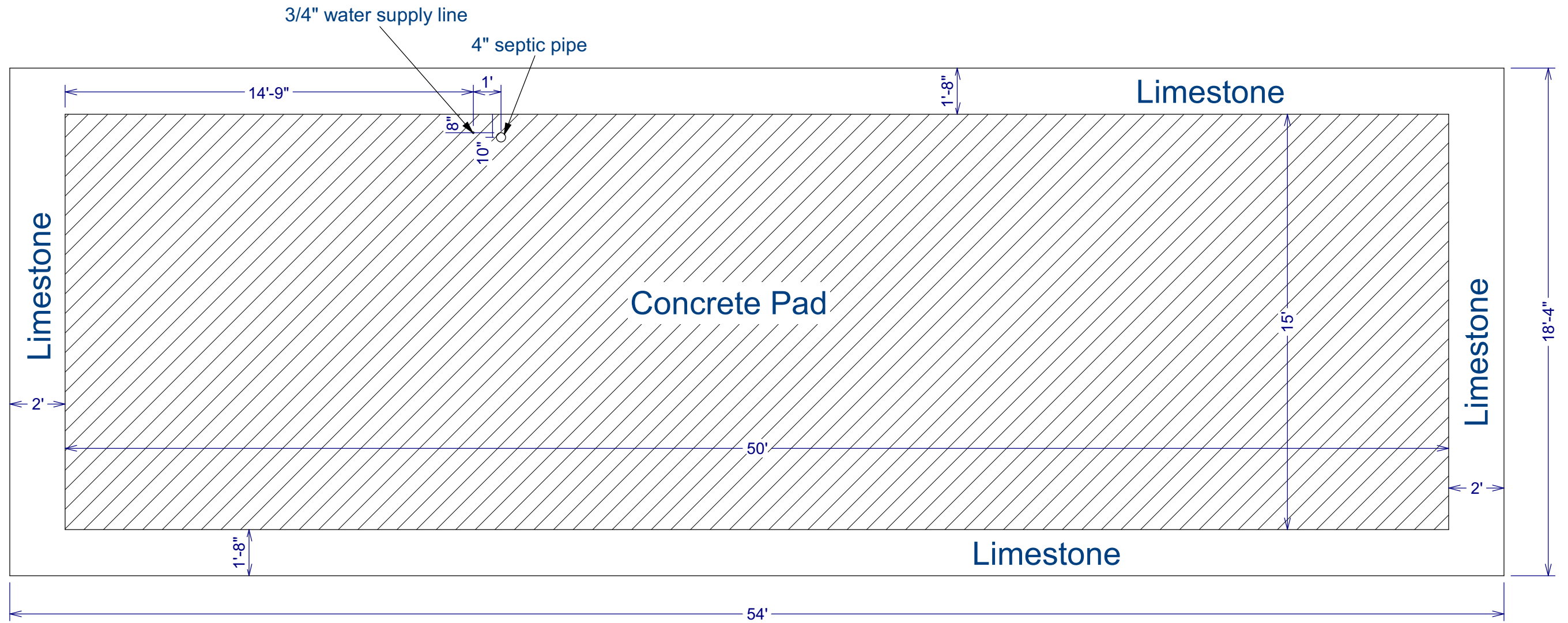


LIVING AREA
750 sq ft

DRAWINGS PROVIDED BY:		PROJECT DESCRIPTION: 15x50 2 bedroom unit		SHEET TITLE: 1st Floor		NO. DESCRIPTION BY DATE		SCALE: 1/4"=1'		DATE: 9/30/2024		K-3



DRAWINGS PROVIDED BY:		PROJECT DESCRIPTION:		SHEET TITLE:		NO.		DESCRIPTION		BY		DATE		SCALE:		DATE:	
		15x50 2 bedroom unit														9/30/2024	
K-4																	



DRAWINGS PROVIDED BY:

PROJECT DESCRIPTION:
15x50
2 bedroom unit

SHEET TITLE:
Pad Layout

NO.	DESCRIPTION	BY	DATE

SCALE:

DATE:
9/30/2024

K-5