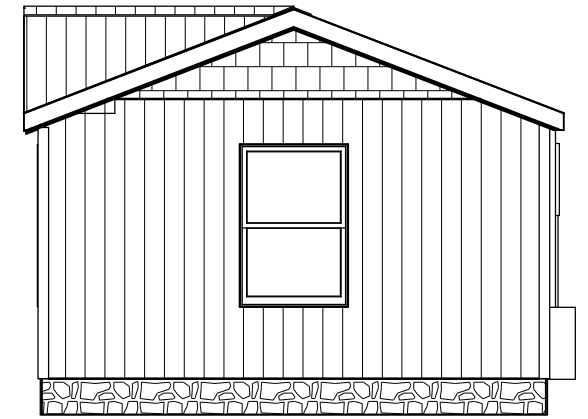
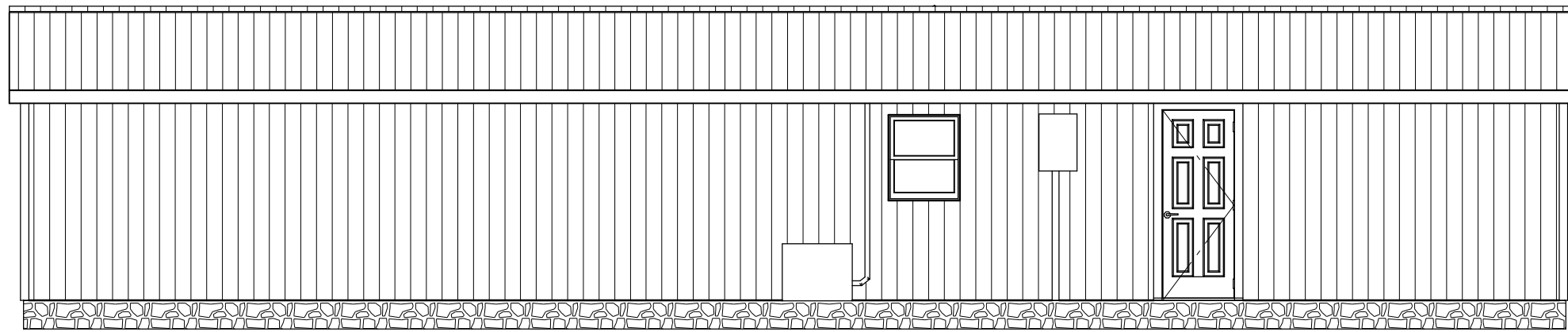


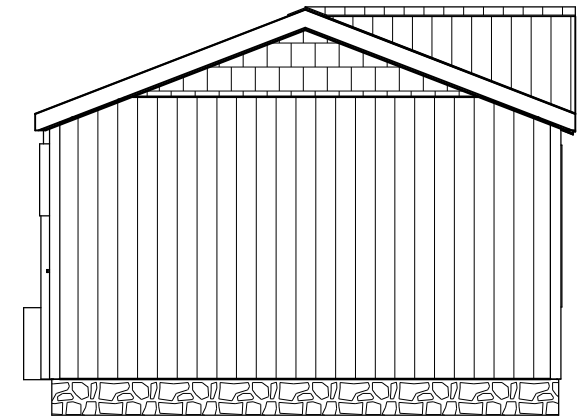
Exterior Elevation Front



Exterior Elevation Right



Exterior Elevation Back



Exterior Elevation Left

DRAWINGS PROVIDED BY:

PROJECT DESCRIPTION:  
**14X54  
 Two Bedroom Unit**

SHEET TITLE:

NO.	DESCRIPTION	BY	DATE

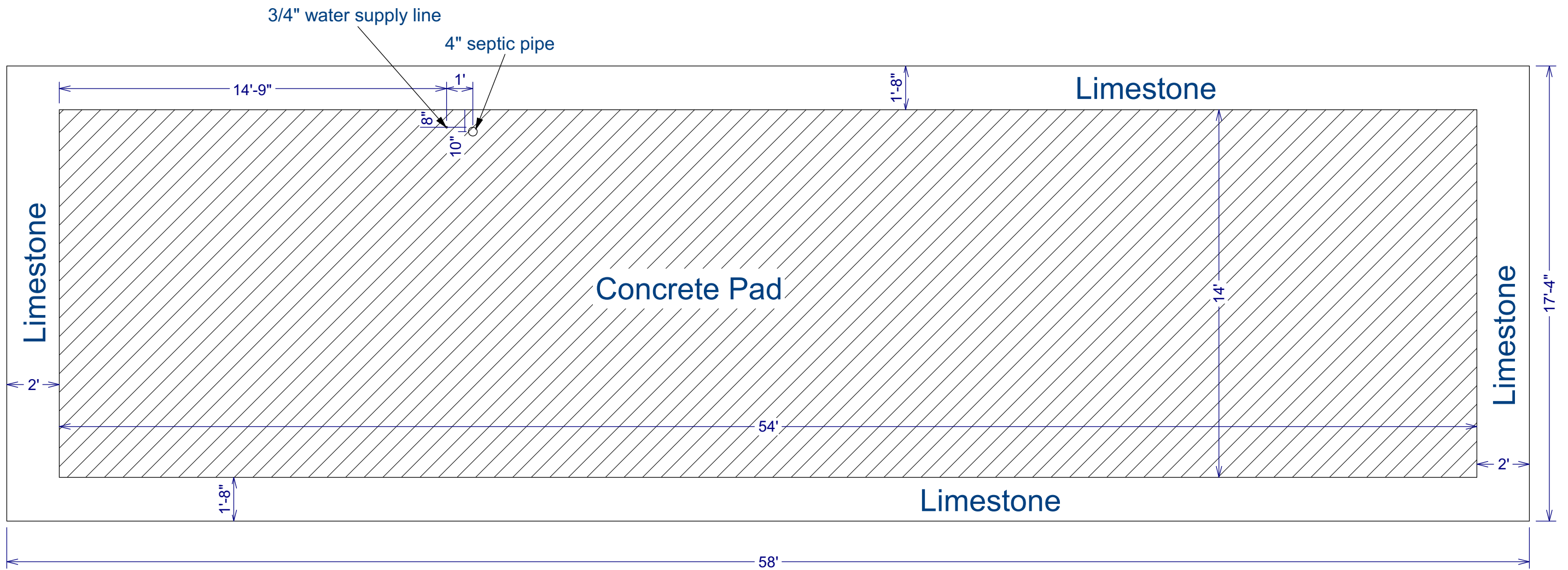
SCALE:

DATE:  
 10/16/2024

**K-2**







DRAWINGS PROVIDED BY:

PROJECT DESCRIPTION:  
**14X54**  
 Two Bedroom Unit

SHEET TITLE:

NO.	DESCRIPTION	BY	DATE

SCALE:

DATE:  
 10/16/2024

**K-5**